



INSTALLATION INSTRUCTIONS

[CARBAHN.COM/INSTRUCTIONS](https://carbahn.com/instructions)

X3M/X4M Strut Brace Set

CARBAHN PART #:

CBB12-00-1031

CBB12-00-1032



US Based Support
866-558-4314
Sales@CarBahn.com
CarBahn.com

These instructions assume that the person installing these parts is a *BMW CERTIFIED MECHANIC* and are *NOT* step by step instructions on how to disassemble and reassemble the car.

1. See TIS instructions for removing and replacing the middle strut brace as appended below.
Instead of replacing the OEM Strut Brace, place the new CarBahn Strut Brace.
2. For the short strut braces undo the fasteners holding them in place. Replace the OEM strut brace with the CarBahn Strut brace such that the CarBahn logo is facing up in the front of the engine bay. Hand tighten the replacement fasteners to 56Nm (41Ftlbs).

WARNING: hand tighten bolts only, do not use power tools.

BMW Group - AIR: 2024-07-12 / 14:22
Dealer: 32711/06
Model: X3 M
Vehicle identification number: 5YMTS0C04LLA57625
Development code: F97
Model code: TS03
Lead type: TS03

[Remove & install/replace strut brace »](#)

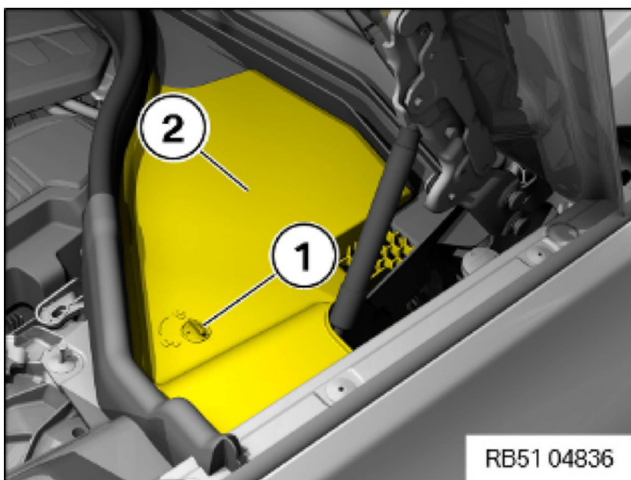
Preliminary work

Remove the cover of the engine compartment at the rear left



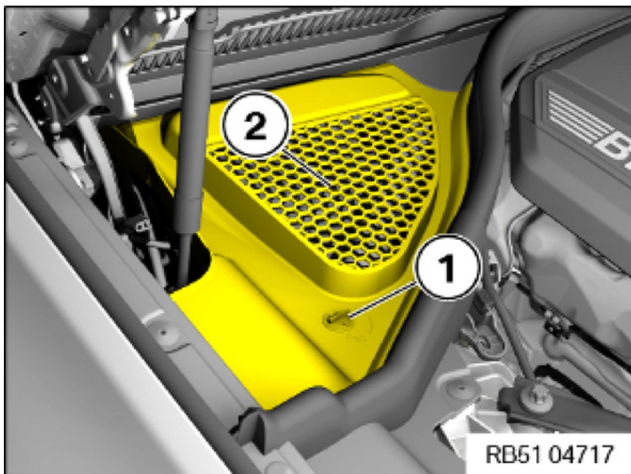
NOTE

Schematic diagram is for example purposes. Some parts may differ in certain details.



- Loosen the lock (1).
- Remove the cover (2).

Remove the cover of the rear right engine compartment

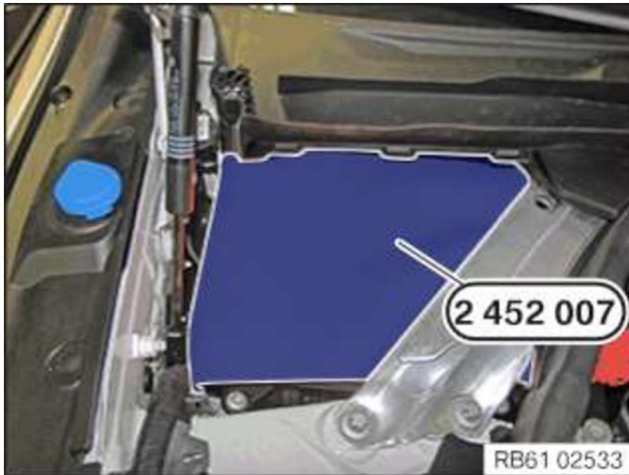


- Loosen the lock (1).
- Remove the cover (2).

▶ Covering the vehicle battery

⚠ WARNING

- Unprotected battery terminals.
Risk of short circuits! Risk of fire!
- Cover the vehicle battery.

**NOTE**

The following step(s) must be performed if the specified component(s) is/are installed.

- Cover the vehicle battery with the special tool 2 452 007 as shown.

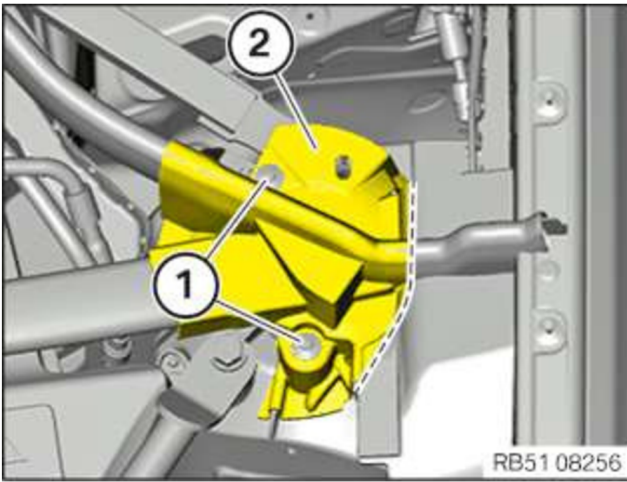


Partly removing the mount of the hood seal on left and right

**NOTE**

Perform the steps on the left and right side.

▶ Partly removing the mount of the hood seal



- Loosen the expanding rivet (1).
- Fold aside mount (2) of the hood seal along the dotted line.

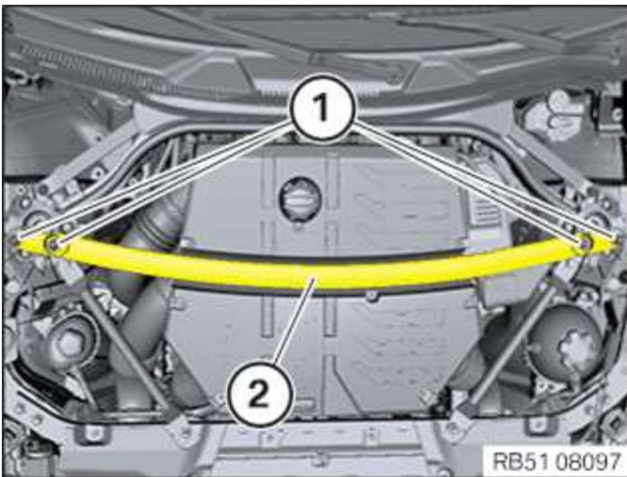


Main Works

Removing suspension strut brace

i TECHNICAL INFORMATION

Driving without the strut brace/front-end strut or tension strut is not permitted.

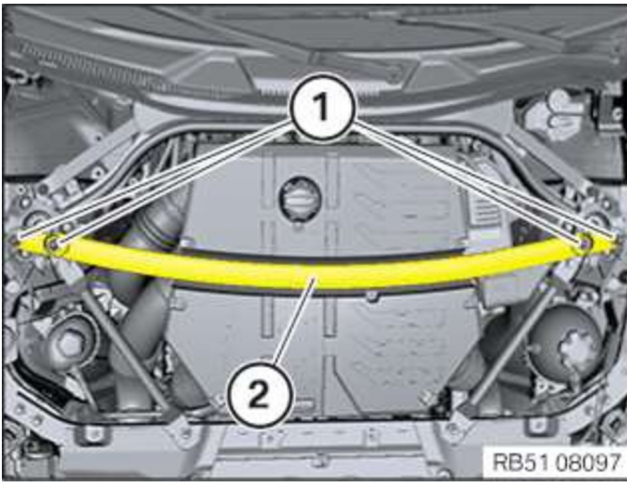


- Loosen nuts (1).
- Remove strut brace (2) in upward direction.

Install the strut brace

i TECHNICAL INFORMATION

Driving without the strut brace/front-end strut or tension strut is not permitted.



- Install the strut brace (2).
- Tighten nuts (1).

Tightening torques

Strut brace to bracket

Hexagon nut	tightening torque 30Nm
-------------	---------------------------

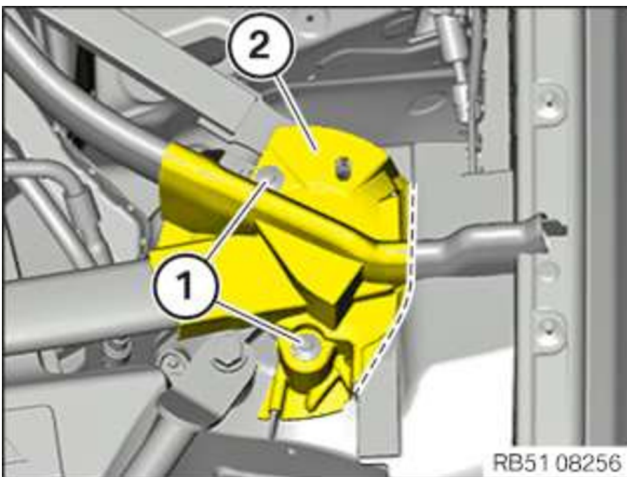
Follow-up works

Installing the seal for the hood gasket left and right

NOTE

Perform the steps on the left and right side.

► Installing the mount of the hood seal

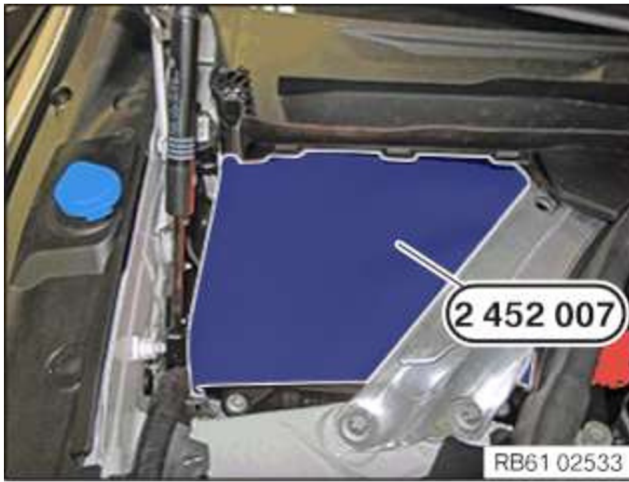


- Position the mount (2) of the hood seal.
- Mount the expanding rivets (1).



Install the rear right engine compartment cover

► Remove the battery cover

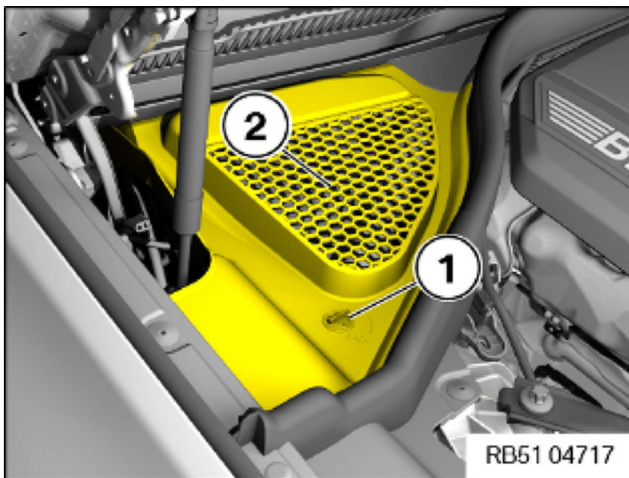
**NOTE**

The following step(s) must be performed if the specified component(s) is/are installed.

- Disconnect special tool 2 452 007 from the battery.



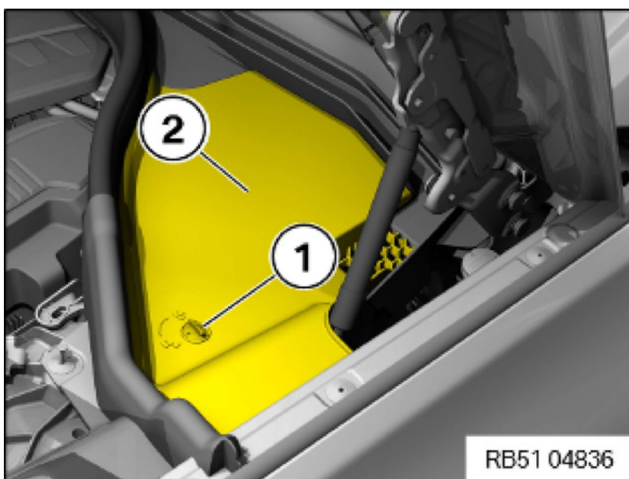
- Install the cover (2).
- Close lock (1).



Install the cover of the engine compartment on the rear left

**NOTE**

Schematic diagram is for example purposes. Some parts may differ in certain details.



- Install the cover (2).
- Close lock (1).